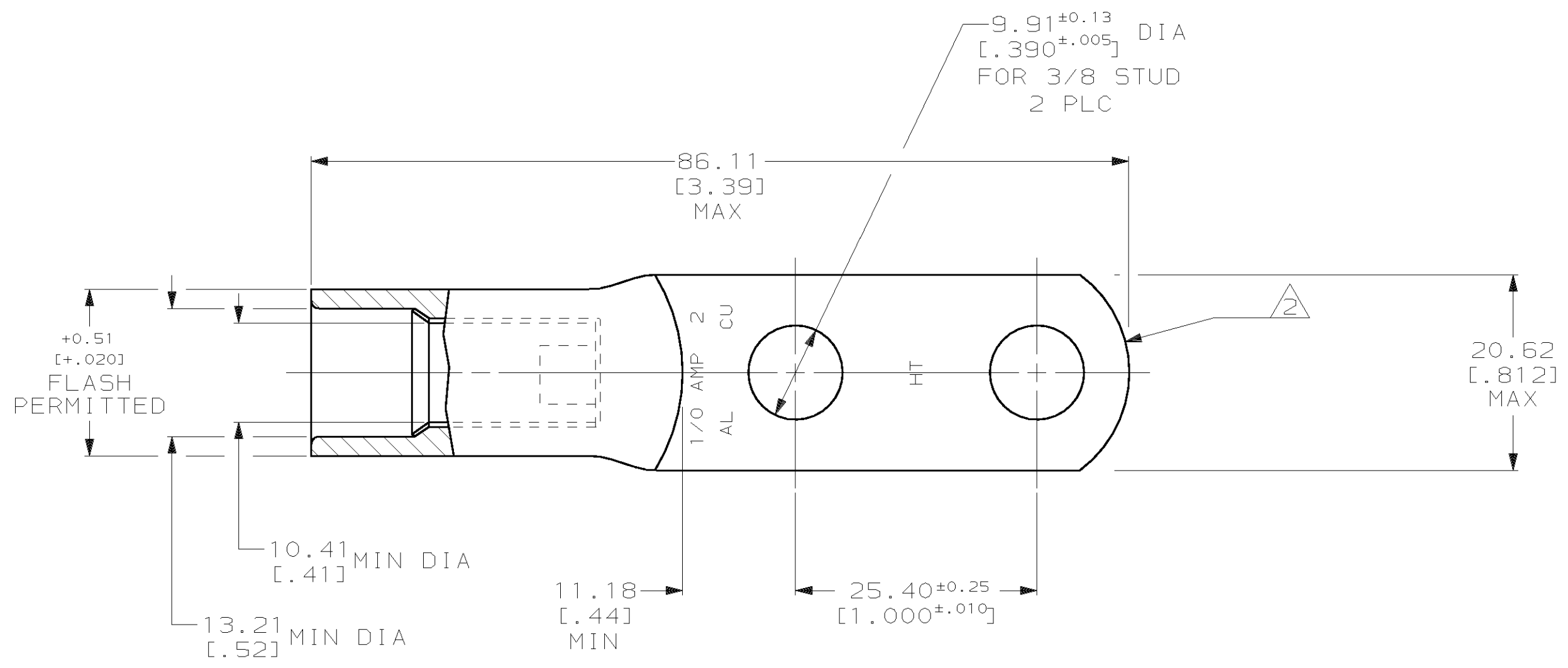


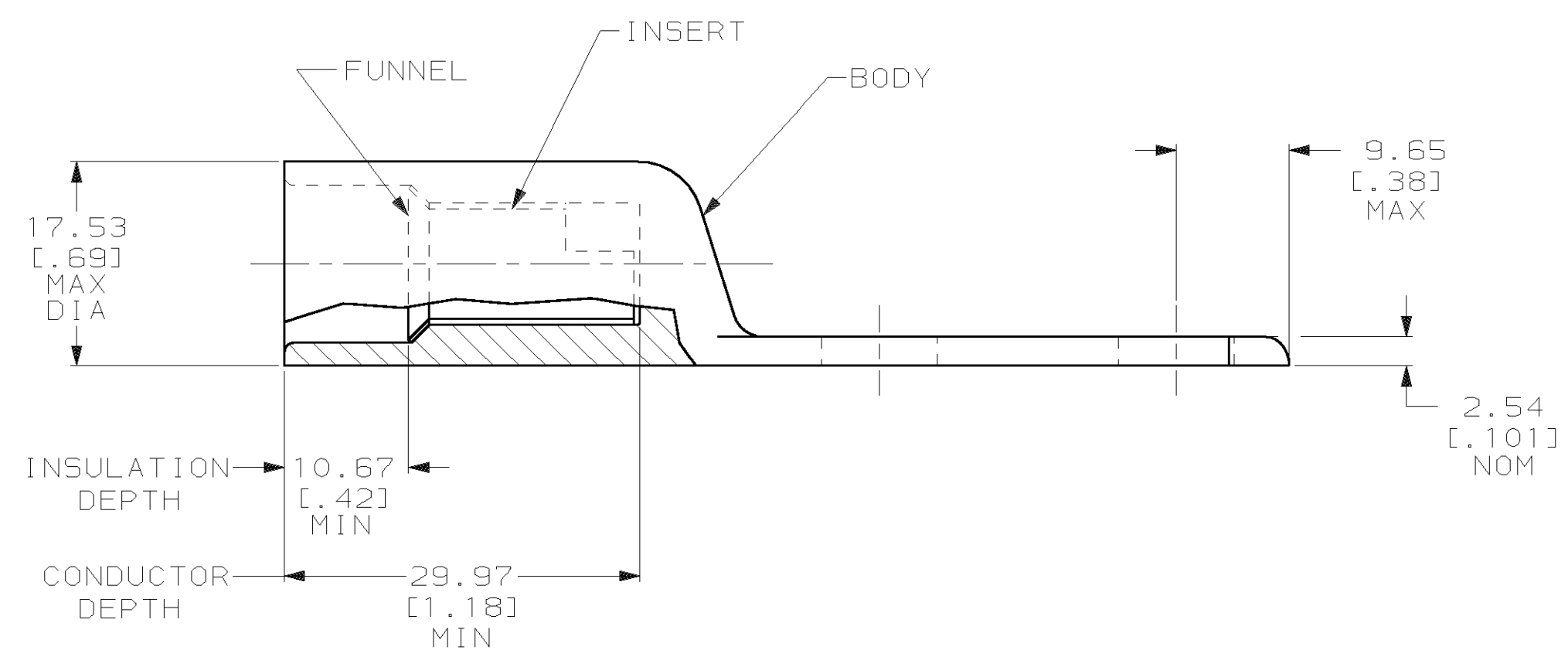
THIS DRAWING IS UNPUBLISHED. RELEASED FOR PUBLICATION
 © COPYRIGHT 19 BY AMP INCORPORATED. ALL INTERNATIONAL RIGHTS RESERVED.

| LOC | | DIST | | P | | F | | ZONE | | LTR | | REVISIONS | | DATE | APPD |
|-----|--|------|--|---|--|---|--|------|--|-----|--|----------------------|--|---------|--------------------|
| G | | 86 | | | | | | | | E | | REV PER 063A-0659-00 | | 09NOV00 | 3 rd MS |



1 WIRE INSULATION: 10.79[.425] - 11.94[.470] DIA

△ THE TONGUE RADIUS FEATURE IS NOT A TOOLING CONTROLLED DIMENSION AND MAY NOT BE A TRUE RADIUS.



| | |
|---|---------|
| INSERT & FUNNEL: BRASS MIL-C-50 NICKEL PL QQ-N-290 0.00762[.000300] AVG THK | 55838-1 |
| BODY: COPPER ASTM B-187 ANNEALED SILVER PL QQ-S-365 0.00508[.000200] MIN THK | |

| | | | | | |
|---|--|----------------------------|--|--|--|
| DO NOT SCALE PRINT. UNLESS SPECIFIED DIMENSIONS IN mm [INCHES] TOLERANCES ON : | | DR 6/15/92 DK SCHRUM | | AMP Incorporated Harrisburg, PA 17105-3608 | |
| 2 PLC DEC ± - 3 PLC DEC ± - ANGLES ± - | | CHK 6/16/92 WJ VOCKROTH | | | |
| MATERIAL | | APPD 6/16/92 AJ KAUFMAN | | NAME | |
| SEE TABLE | | APPD 6/16/92 CR RH0ADS | | WIRE TERMINAL, COPALUM™, SEALED, RING TONGUE, HIGH TEMP, WIRE SIZE: 51.50mm ² [1/0] ALUMINUM 34.55mm ² [2] COPPER | |
| FINISH | | PRODUCT SPEC | | SIZE | |
| SEE TABLE | | 108-11011 TENTATIVE | | CAGE CODE | |
| | | APPLICATION SPEC | | DRAWING NO | |
| | | 114-2134 | | 00779 | |
| | | WEIGHT | | SCALE | |
| | | 62 GRAMS | | 2:1 | |
| | | | | SHEET | |
| | | | | 1 OF 1 | |

THIS DRAWING IS A CONTROLLED DOCUMENT FOR AMP INCORPORATED. IT IS SUBJECT TO CHANGE AND THE CONTROLLING ENGINEERING ORGANIZATION SHOULD BE CONTACTED FOR THE LATEST REVISION.